

Coramex S.A.

Corix^â PRO 70 Digital

VETERINARY X – RAY EQUIPMENT

Installation Manual

Release 1.0 March 2005.

CONTENTS

1. Introduction	3
2. Safety Information	3
2.1. Warnings	3
3. Description	5
3.1. Identification Labels	5
3.2. Equipment Parts	11
3.3. Configurations	12
a. Standard Configuration	12
b. Remote Timer Configuration	13
c. Mobile Stand Configuration	14
d. Portable Stand Configuration	15
4. Technical Features	16
4.1. Tube Characteristics	18
4.2. DPM Timer Preset Exposure Times	19
5. Pre-Installation	20
5.1. Electrical Features	21
6. Installation	22
6.1. Wall, Mobile, and Portable Mounting Installation	22
6.2. Scissors Arm and Extension Arm Mounting	24
6.3. Arms Mounting on Support	25
6.4. Tubehead Mounting	26
6.5. Installation of Options	27
6.6. Electrical Connections	27
6.7. Final Functioning Tests	29
7. Maintenance	31
7.1. General Features	31
7.2. Arms Regulation	31
8. System Calibration	33
9. Drawings	35
10. Electrical Schemes	38

1. INTRODUCTION

Corix PRO 70, manufactured by Coramex S.A. performs high quality intra-oral radiographs, ensured by the repeatability of examination combined with reduced exposure times and with the small focal spot.

Corix PRO 70 has a powerful and user-friendly hand held controller that fits into the palm of your hand.

This manual is intended to assist the user and installer in the safe and efficient operation and installation of the equipment described.

2. SAFETY INFORMATION

This manual provides all the necessary information for the correct handling of the equipment as well as warnings related to risks associated to X-ray generators.

Coramex S.A. shall not be responsible for:

- § Any use of the equipment different from what it has been designed for.
- § Any damage to the equipment, the operator or the patient caused by incorrect installation and maintenance not compliant with the procedures contained in the relevant user's and installation manuals, or by incorrect operation techniques.
- § Any mechanical and/or electrical changes caused during or after installation, different from those reported in the service manual.
- § Any expenses related to the eventual disposal of the equipment or parts.

2.1 Warnings

The equipment must be used in compliance with the procedures contained in the present manual and shall never be used for purposes different from those envisaged by it.

Only qualified service personnel are allowed to perform technical interventions on the equipment and to remove the tubehead from its support and access the internal components. There is risk of injury if proper procedures are not used.

The tubehead cover or the relevant cone-collimator assembly should not be touch during X-ray emission.

No objects should be hanged on the extension arms.

The equipment is not designed to be used in the presence of flammable anesthetics, oxygen or nitrous oxide.

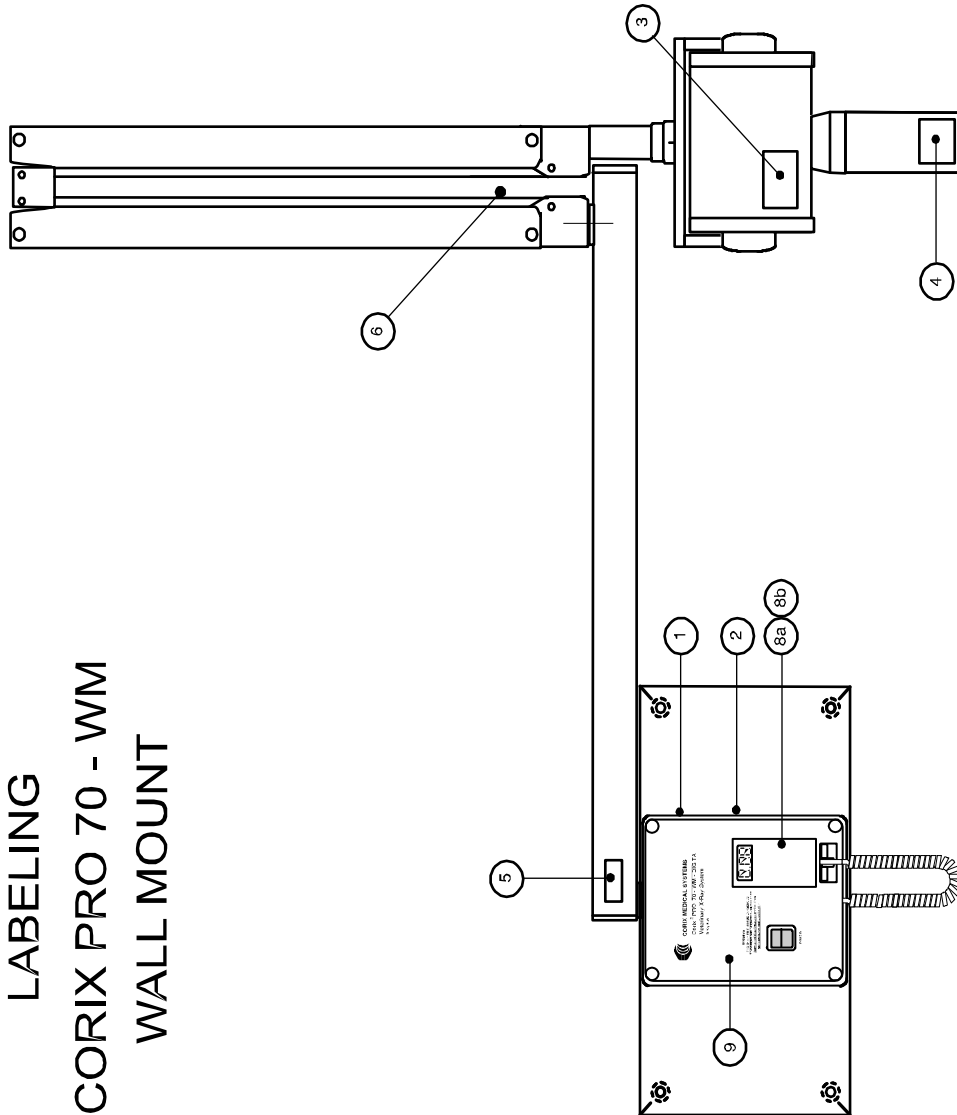
Before performing any maintenance intervention, the equipment must be disconnected from the input line voltage by means of the relevant magnetic-thermal switch.



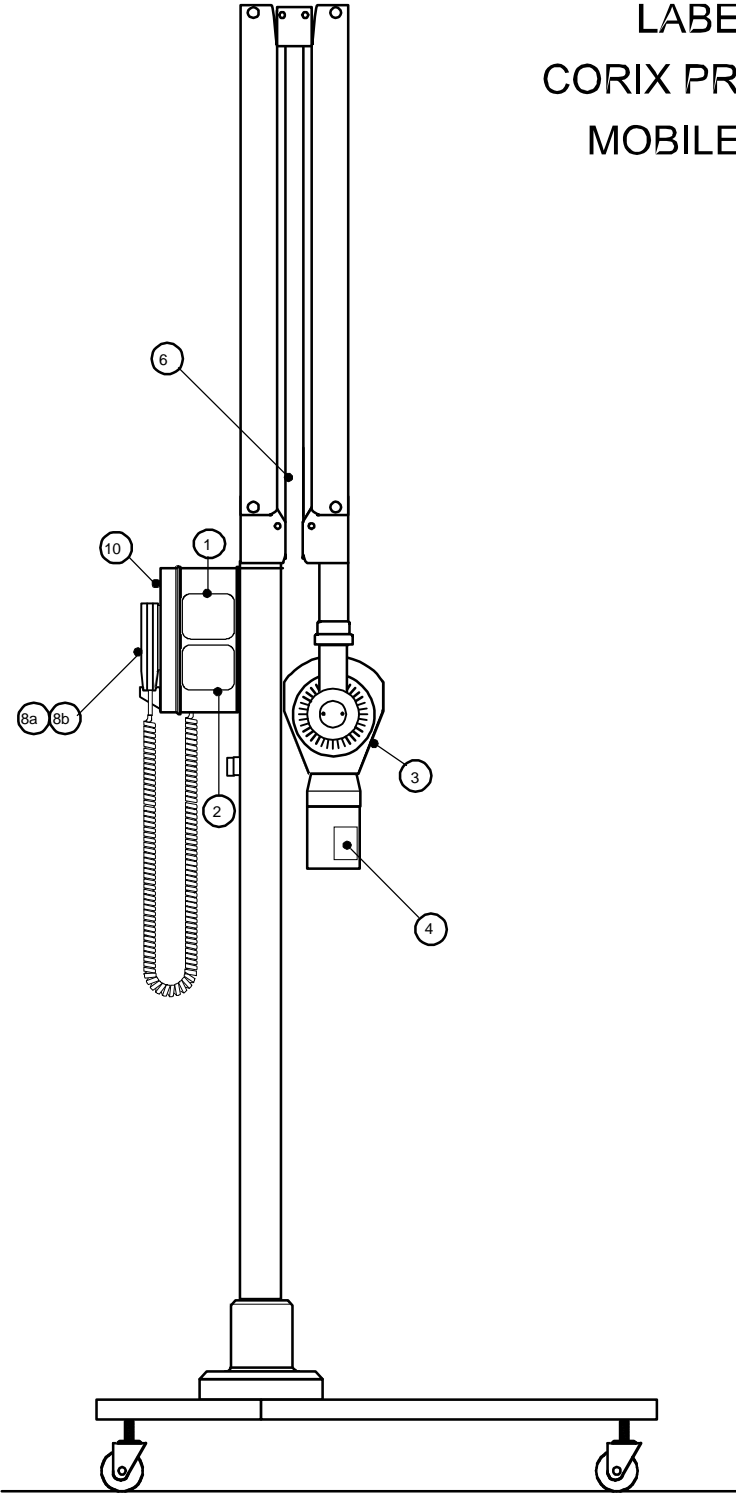
3. DESCRIPTION

3.1 Identification labels

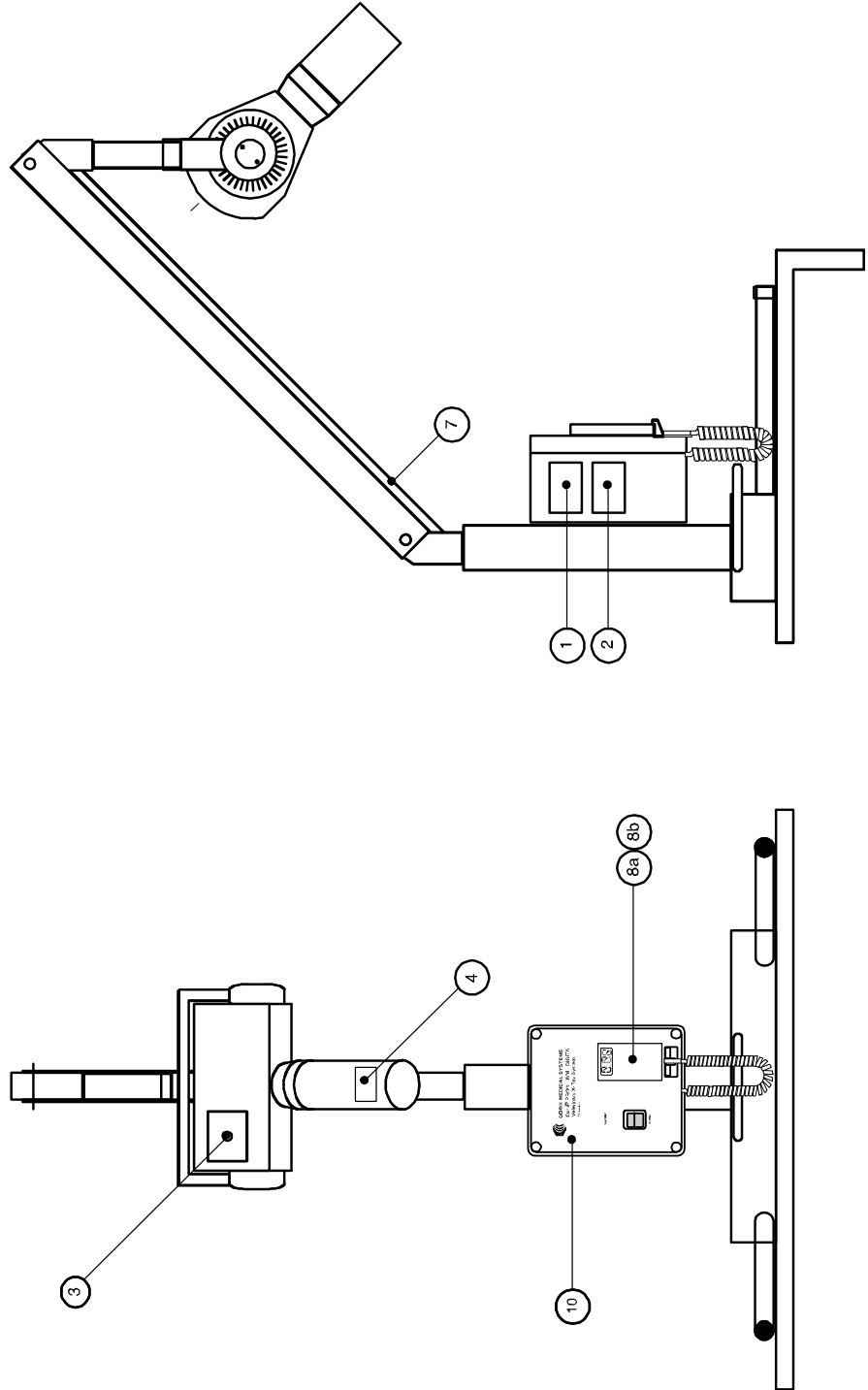
LABELING CORIX PRO 70 - WM WALL MOUNT



LABELING
CORIX PRO 70 - MM
MOBILE STAND




LABELING
 CORIX PRO 70 - PS
 PORTABLE STAND



LABEL # 1

WARNING
 THIS X RAY UNIT MAY BE DANGEROUS TO THE PATIENT AND OPERATOR UNLESS SAFE EXPOSURE FACTORS AND OPERATING INSTRUCTIONS ARE OBSERVED.
 ELECTRICAL SHOCK HAZARD - DO NOT REMOVE PANELS.
 RISK OF EXPLOSION - DO NOT USE IN PRESENCE OF FLAMMABLE ANESTHETICS.
 FOR CONTINUED PROTECTION AGAINST RISK OF FIRE, REPLACE ONLY WITH SAME TYPE AND RATING OF FUSE.


LABEL # 3

 MANUFACTURER: CORAMEX S.A.
 LAURO VILLAR No. 94-B.
 02440 MEXICO, D.F. MEXICO
MOD: CORIX PRO 70 PART: P103USV
X-RAY TUBE HOUSING ASSEMBLY
 RATED PEAK TUBE POTENTIAL: 70KVp±7%
 RATED TUBE CURRENT: 8mA ±15%
 TOTAL FILTRATION 2mm. Al SERIAL No. XXXXX
 FOCAL SPOT: 0.8mm.
 MANUFACTURED: M M M M M M M M / Y Y Y Y. MEXICO
X-RAY TUBE C.E.I srl ITALY MOD: OX/70-P.S/N. XXXXX
 COMPLIES WITH DHHS PERFORMANCE STANDARD 21 CFR SUBCHAPTER J.

LABEL # 2

 MANUFACTURER: CORAMEX S.A.
 LAURO VILLAR No. 94-B.
 02440 MEXICO, D.F. MEXICO
MOD: CORIX PRO 70
X-RAY CONTROL PART: P101USV
 LINE VOLTAGE 120Vac±10% (109-132Vac)
 CURRENT MAX. 12A (132Vac) 50/60Hz.
 CLASS 1 TYPE B
 SHORT TIME OPERATION SERIAL No. XXXXX
 MANUFACTURED: M M M M M M M M / Y Y Y Y. MEXICO
 COMPLIES WITH DHHS PERFORMANCE STANDARD 21 CFR SUBCHAPTER J. COMPLIES WITH UL 2606-1

LABEL # 4

 MANUFACTURER: CORAMEX S.A.
 LAURO VILLAR No. 94-B.
 02440 MEXICO, D.F. MEXICO
MOD: CORIX PRO 70
BEAM LIMITING DEVICE PART: P104USV
 SOURCE TO SKIN DISTANCE (FFD): 20cm.
 X-RAY FIELD Ø AT MINIMUM FFD: 6cm.
 SERIAL No. XXXXXX
 MANUFACTURED: M M M M M M M M / Y Y Y Y. MEXICO
 COMPLIES WITH DHHS PERFORMANCE STANDARD 21 CFR SUBCHAPTER J.

LABEL # 8a

LABEL # 8b

LABEL # 5
 MANUFACTURER: CORAMEX, S.A.
 LAURO VILLAR No. 94-B
 02440 MEXICO, D.F. MEXICO
EXTENSION ARM. PART. P105USV
 Serial: XXXX M M M M M M M M / Y Y Y Y

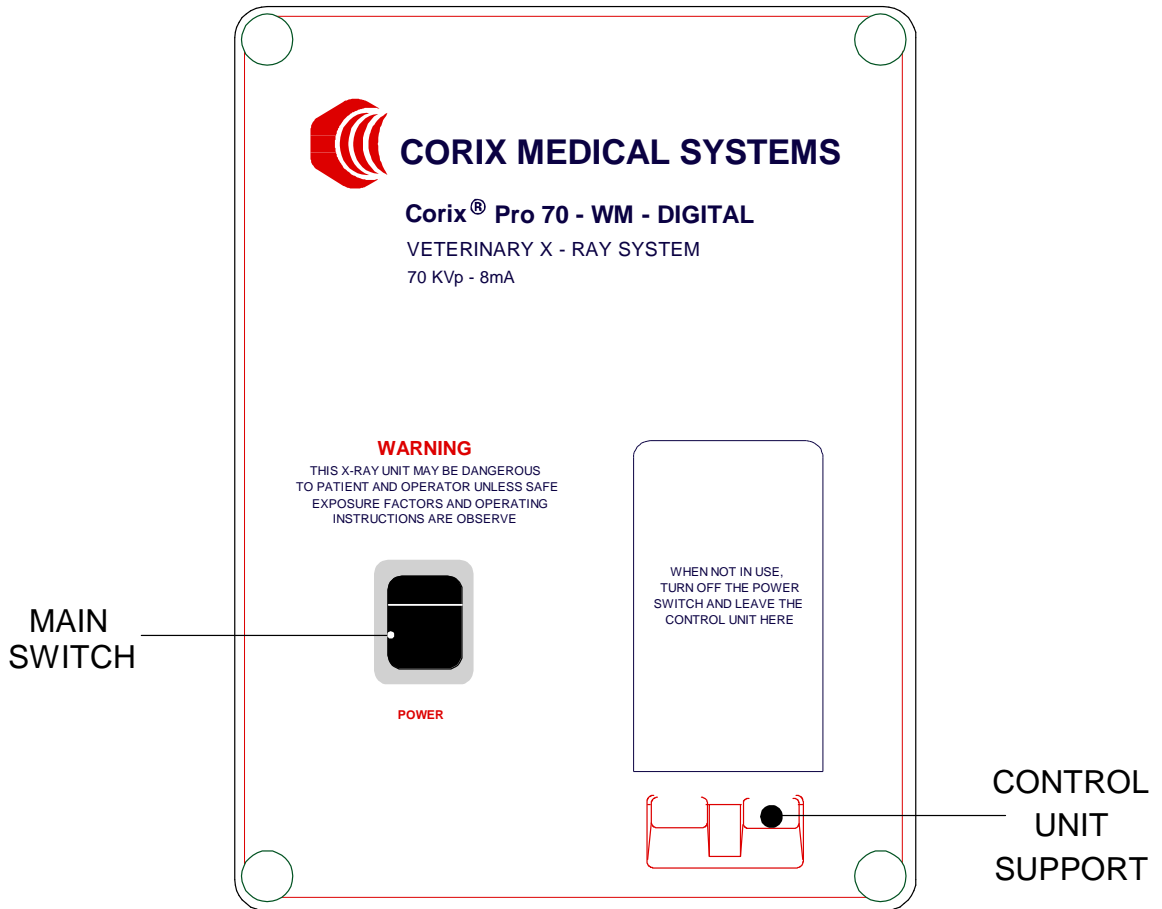
LABEL # 6
 MANUFACTURER: CORAMEX, S.A.
 LAURO VILLAR No. 94-B.
 02440 MEXICO, D.F. MEXICO
SCISSORS ARM. PART. P106USV
 Serial: XXXX M M M M M M M M / Y Y Y Y

LABEL # 7
 MANUFACTURER: CORAMEX, S.A.
 LAURO VILLAR No. 94-B.
 02440 MEXICO, D.F. MEXICO
MOBILE ARM. PART. P131USV
 Serial: XXXX M M M M M M M M / Y Y Y Y

FRONT

REAR

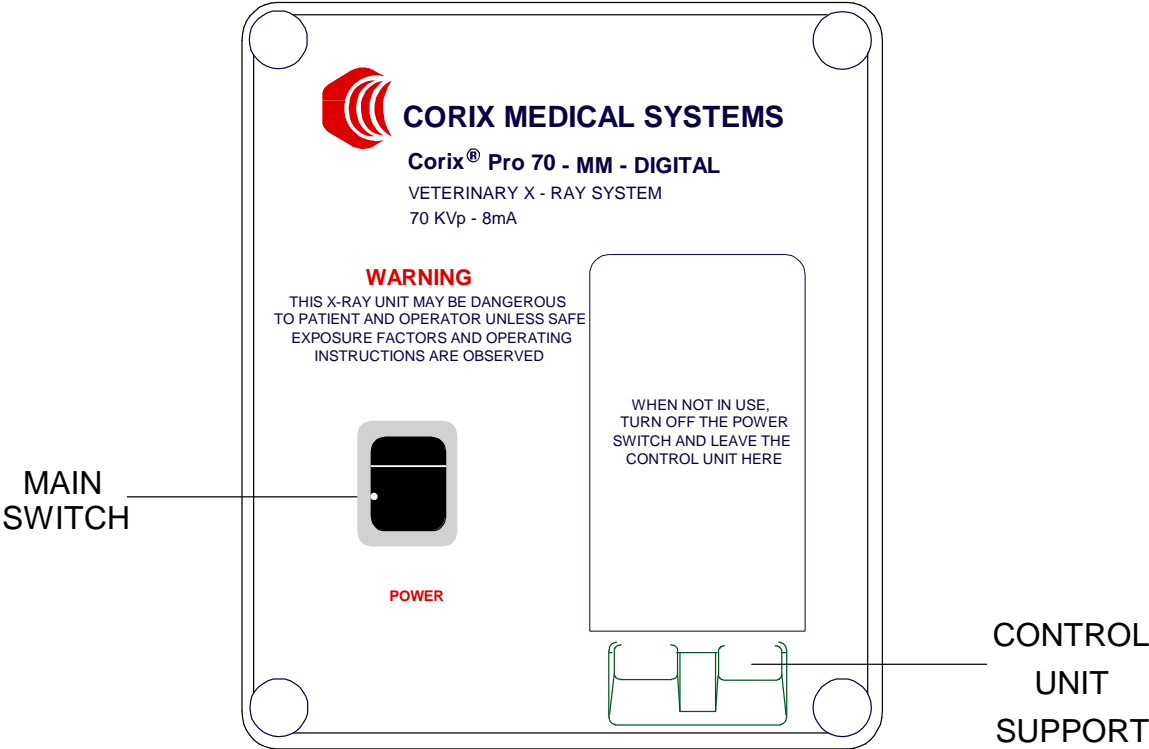
LABEL # 9



**FRONT PANEL LABEL
(FOR WALL MOUNT)**

SCALE 1:2

LABEL # 10



FRONT PANEL LABEL

SCALE 1:2

(FOR MOBILE STAND AND PORTABLE STAND)

3.2 Equipment Parts

A set of different models of the complete extraoral dental X-Ray device share the certified components listed

Model Corix PRO 70 Wall Mount

Common Part	X-Ray Tube Housing Assembly	Part: P103USV
	Beam Limiting Device	Part: P104USV
	X-Ray Control (External Panel), (Control Unit)	Part: P101USV Part: P102USV
Particular Part	Extension Arm Standard (80cm)	Part: P105USV
	Extension Arm Large (90cm)	Part: P105LUSV
	Extension Arm Short (35cm)	Part: P105SUSV
	Bracket Remote Timer Kit (optional)	Part: P116USV
	Scissors Arm	Part: P106USV
	Wall Plate	Part: P115USV

Model Corix PRO 70 Mobile Stand

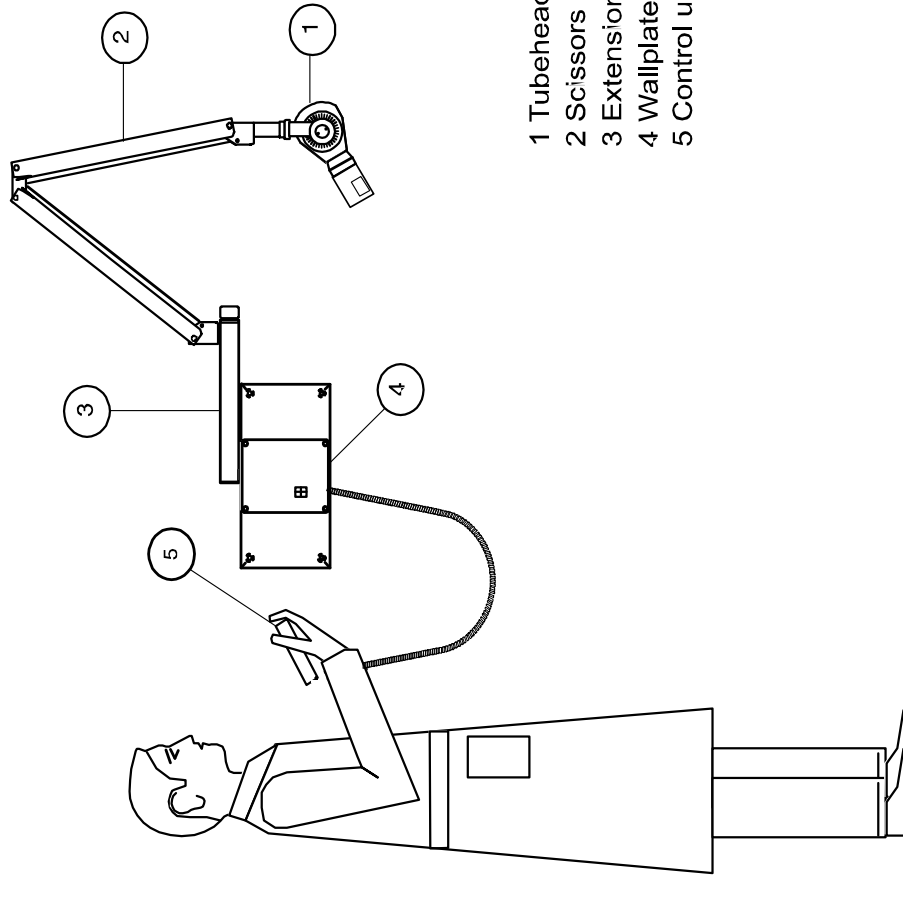
Common Part	X-Ray Tube Housing Assembly	Part: P103USV
	Beam Limiting Device	Part: P104USV
	X-Ray Control (External Panel), (Control Unit)	Part: P101USV Part: P102USV
Particular Part	Scissors Arm	Part: P106USV
	Mobile Base	Part: P121USV

Model Corix PRO 70 Portable Stand

Common Part	X-Ray Tube Housing Assembly	Part: P103USV
	Beam Limiting Device	Part: P104USV
	X-Ray Control (External Panel), (Control Unit)	Part: P101USV Part: P102USV
Particular Part	Mobile Arm	Part: P131USV
	Part: Portable Base	Part: P132USV

3.3 Configurations

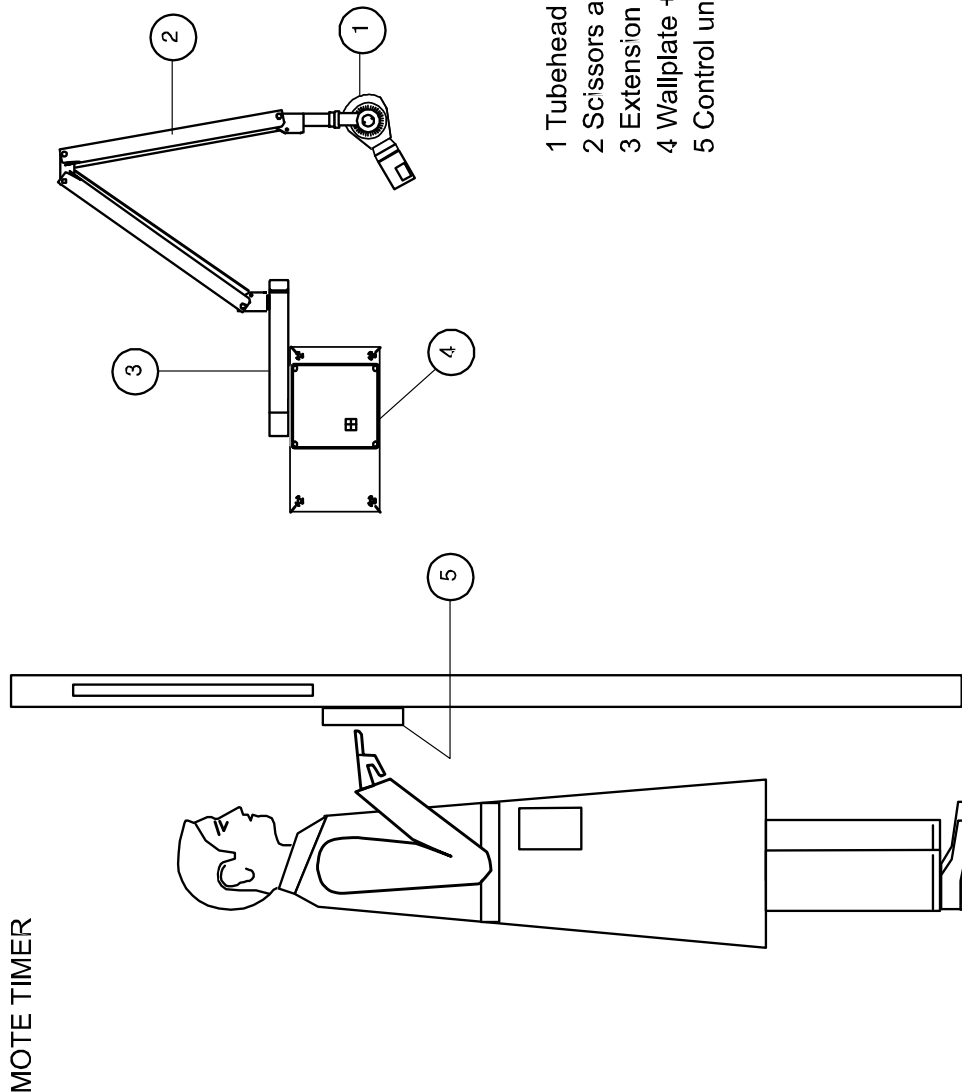
- a) Standard Configuration
CORIX PRO 70 - WM
WALL MOUNT



- 1 Tubehead
- 2 Scissors arm
- 3 Extension arm
- 4 Wallplate + X-ray control
- 5 Control unit with X-Ray button

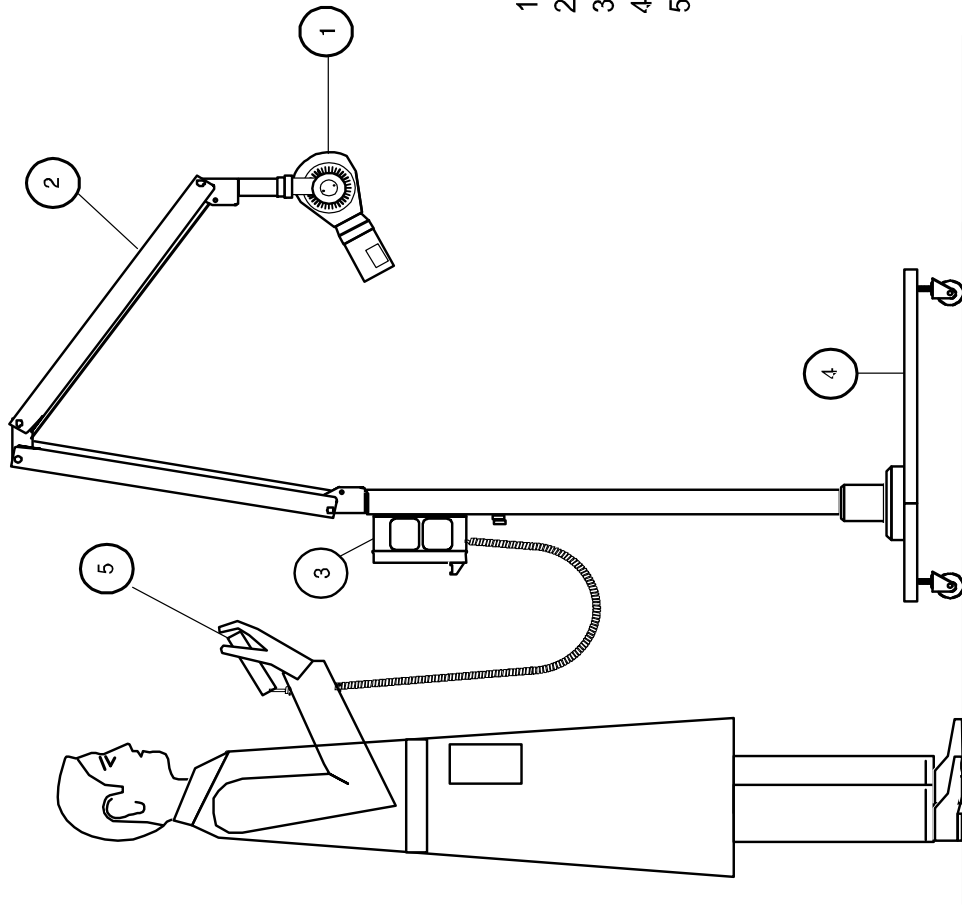
b) Remote Timer Configuration (optional)

CORIX PRO 70 - WM
WALL MOUNT
REMOTE TIMER



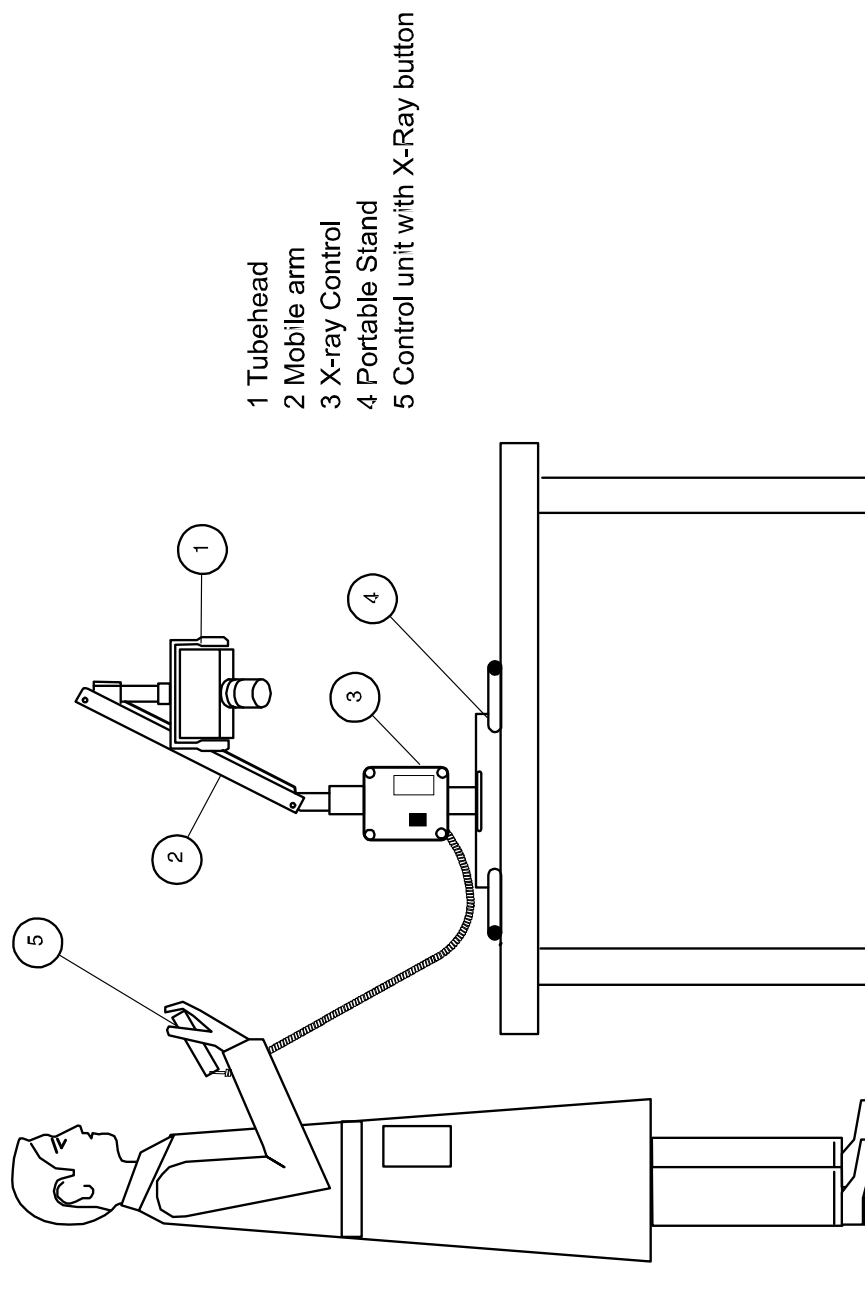
- 1 Tubehead
- 2 Scissors arm
- 3 Extension arm
- 4 Wallplate + X-ray control
- 5 Control unit with X-Ray button

c) Mobile Stand Configuration
CORIX PRO 70 - MM
MOBILE STAND



- 1 Tubehead
- 2 Scissors arm
- 3 X-ray Control
- 4 Mobile Stand
- 5 Control unit with X-Ray button

d) Mobile Stand Configuration
CORIX PRO 70 - PS
PORTABLE STAND



4. TECHNICAL FEATURES

Technical features	
Equipment	Intra-oral Diagnostic X-Ray Imaging (General Purpose Dental)
Manufacturer	Coramex S.A. Lauro Villar 94-B Mexico, D.F. 02440 - Mexico
Model Designation	Corix PRO 70
Class	I type B
Rated Line voltage	120 V \pm 10% (109-132 Vac)
Line frequency	50/60 Hz
Line current	10 A max (120 Vac)
Power consumption	1.050 KW max @ 132Vac
Apparent line resistance	0.2 Ohms max 120 V
Line Voltage regulation	\leq 3%
Main Fuse	10 A F
X-Ray Control	Microprocessor Controlled Digital Timer
Manufacturer	Coramex, S.A.
Part Designation	P101USV (panel with Main Terminals Device)
TIMER	DPM Timer (Control Unit)
Part Designation	P102USV (Hand Held Controller)
Exposure Times	Manual time selection, from 0.03 s to 3.00 s, in steps of 0.01 s Plus 9 pre-set exposure times, with automatic line voltage compensation. A pre-heating time of 0.15 s for loading the x-ray tube must be added to the time selection shown on the display. *
Timer Accuracy	\pm 10%

Tube Housing Assembly	Extra-oral Diagnostic X-ray generator and Beam Limiting Device
Manufacturer	Coramex S.A.
Part Designation	P103USV
Rated output voltage	70 kVp \pm 7% (Single phase, self-rectifying)
Rated output current	8 mA \pm 15% @ 120Vac
Maximum deviation of output current	4.5 mA (over the voltage range)
Total filtration	2 mm Al eq.
Transformer insulation	Oil Bath
Cooling	Thermal Convection Cooling
Radiation leakage at 1 m	< 50 mR/h (technical Factors 70Kvp, 8mA, 1s)

Exposure Interval (Duty Cycle)	01:30 The minimum Exposure Interval between exposures (30 time units of cooling time for every time unit of exposure) is a Preset value in the microprocessor controlled digital timer, Model DPM.
X-Ray Tube	(Part of the Tube Housing Assembly)
Manufacturer	C.E.I. S.R.L.
Model Designation	OX/70-P
Focal spot	0.8 mm (IEC 336)
Inherent Filtration	0.5 mm Al eq.

Beam Limiting Device	
Manufacturer	Coramex, S.A.
Part Designation	P104USV
Minimum Focal Spot to Skin Distance (FFD)	200 mm
X-Ray Field \varnothing at Minimum FFD	60mm

* Note : “Pre-heating time” is the time required by the tubehead to enable the correct radiation output.
When testing the timer the correct time is the displayed time, plus the “pre-heating time”. For example : it display reads : 0.40s, the correct time is : 0.40s + 0.15s = 0.55s.

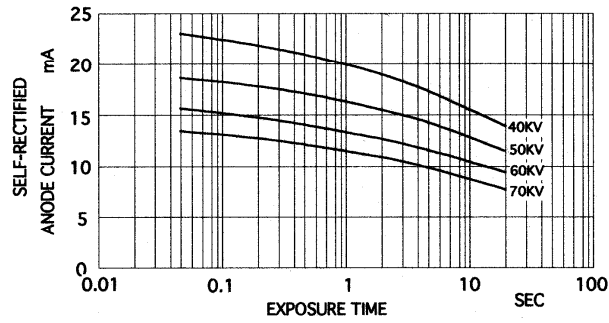
4.1 Tube Characteristics

EMISSION AND FILAMENT FEATURES

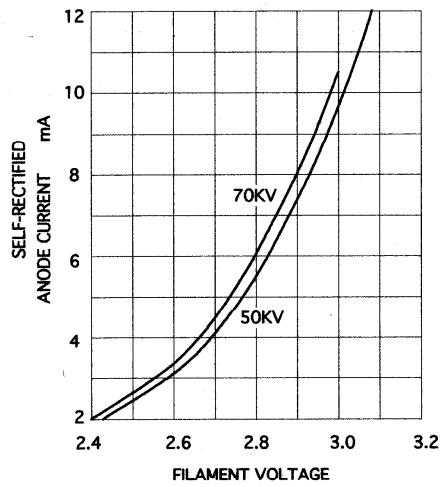
COMPAGNIA ELECTTRONICA ITALIANA S.R.L.

TUBE MOD : OX/70P

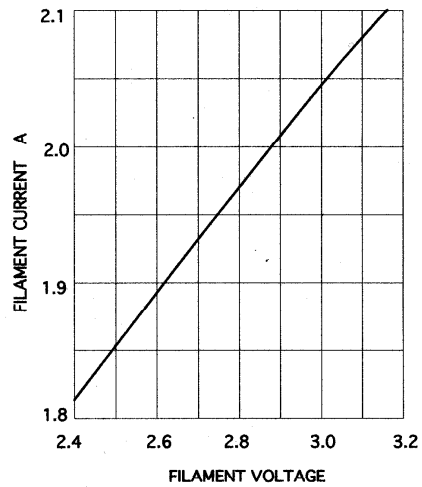
RATING CHARTS



EMISSION CHARACTERISTICS



FILAMENT CHARACTERISTICS



4.2 DPM Timer- Preset Exposure Times

The following table of pre-set exposure times in Seconds shows the rated exposure time for a nominal line voltage of 120V and the final corrected exposure time, as a function of the line voltage correction factor and patient size, for the minimum (109V) and maximum (132V) line voltage operating range.

Notes:

- Suggested exposure times in Seconds, for E type films.
- Film speed: Factory pre-set for E type Films. If set for Digital x-ray, (C.C.D. Sensor), pre-set exposure times are reduced by 1/3.
- Corrected exposure times rounded to the nearest 1/100 of second.
- This table will not show the added 0.15 seconds of preheating time for the x-ray tube.

LINE VOLTAGE	120V		109V		132V	
LINE VOLTAGE CORRECTION FACTOR	1.0		1.9		0.55	
PATIENTS SIZE	MEDIUM	SMALL	MEDIUM	SMALL	MEDIUM	SMALL
UPPER JAW						
INCISOR	0.24	0.16	0.47	0.31	0.13	0.09
CUSPID	0.24	0.16	0.47	0.31	0.13	0.09
BICUSPID	0.30	0.20	0.57	0.38	0.16	0.11
MOLAR	0.33	0.22	0.63	0.42	0.18	0.12
LOWER JAW						
INCISOR	0.18	0.12	0.33	0.22	0.09	0.06
CUSPID	0.18	0.12	0.33	0.22	0.09	0.06
BICUSPID	0.21	0.14	0.41	0.21	0.12	0.08
MOLAR	0.24	0.16	0.47	0.31	0.13	0.09
PAW	0.24	0.16	0.47	0.31	0.13	0.09

5. PRE - INSTALLATION

Proper planning prior to installation is required. There are three areas of concern before installation.

- 1) Mounting structure
- 2) Reach of the tubehead
- 3) Electrical connections

▷ *Warning*

The precision of the installation is the full responsibility of the installer. Inappropriate installation of the equipment may cause it to drop from its support, resulting in damage to individuals and materials near its range. The manufacturer fully disclaims expressed or implied in this regards.

Different wall structures require different type of fasteners. It is the responsibility of the installer to use the appropriate fasteners. Always making sure that the installation is properly leveled.

The timer, supply plate, hand remote control and connection cable assembly supplied by the manufacturer must be kept unadulterated. Using different parts requires new system calibration.

Judgment of wall sturdiness is left to the installer.

Fixing bosses to be used for each type of wall are the following:

- ▷ Concrete walls: expansion bosses
- ▷ Wooden studs: self-threading screws
- ▷ Hollow bricks: chemical bosses

5.1 Electrical Features

The supply line must meet the following requirements:

Single-phase mains voltage + ground: 120V±10%

Line frequency: 60Hz

Absorbed current: 10A (120V)

Apparent line resistance: 0,2Ω max (120V)

The equipment must be wired to an electrical panel whose characteristics comply with the electrical norms in force in the country where it is installed. A dedicated line protected by a 10A circuit breaker is recommended.

The general ground connection must be performed according to the norms in force. Inadequate ground connection of the equipment may represent a hazard for the operator and/or cause the electrical equipment to malfunction.

Maximum distance between electrical panel and supply terminal block varies according to the section of supply wires and is reported in following table.

120 V 60 Hz			
Minimum Required Wire Size	Wire Run Distance		
12 AWG 4mm ²	25 Feet 7.5 Meters	50 Feet 15 Meters	*****
10 AWG 6.3mm ²	*****	*****	75 Feet 22.5 Meters

For 120 V supply, is recommended to use wires whose section is not lower than 4 mm² (12 AWG).

For standard configuration and for mobile stand configuration, the supply terminal block is the same as that of the Timer. For remote configuration, the Timer's supply terminal block is only a "link" between the electrical panel and the supply terminal block of the arms support.

For proper functioning, the equipment must be installed in air-conditioned environments, having the following characteristics:

Relative humidity: 50-75% (not condensing)

Temperature: 18-28C

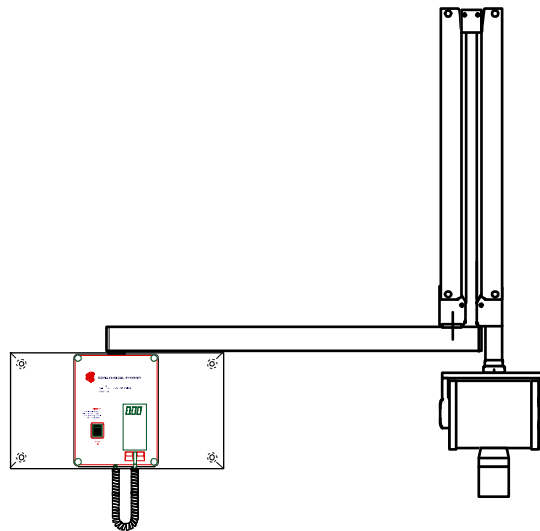
6. INSTALLATION

⚠ *Warning*

Coramex, S.A. is not responsible for any damage to the equipment, the operator or the patient caused by incorrect installation and maintenance not compliant with the procedures contained in the relevant user's and installation manuals, or by incorrect operation techniques.

6.1 Wall, mobile, and portable mounting Installation

q **Wall mounting installation**



Wall Plate plus Timer (Standard Configuration)

The installer must verify the consistency of the wall and must keep in mind that each set pin can carry a load of 200kg (440 pounds).

If the wall can support this weight, expansion metal cast pins can be used.

If the fixing position has wooden studs, screws of 8 x 40 mm can be used.

If the wall is not strong enough to support the weight of the x-ray device, it will be necessary to use the optional 4 synthetic set pins, 12 mm, with bushings.

1. Check that all parts are present.
2. Check wall consistency and mark holes for wall plate mounting on wall in the selected position, at a distance of 57" (1450mm) from floor.
3. Drill holes in wall and mount plate. Make sure plate is leveled.
4. Secure wall plate to wall by using the appropriate screws.

Wall Plate (Configuration with Remote Timer)

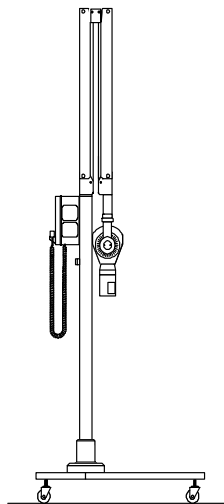
Follow as indicated in section 6.1 but install the optional remote timer mounting assembly in the area where the hand switch assembly will be located.

1. Insert optional remote timer mounting on wall and bring connecting wire through the hole on the plate.
2. Make sure wire strain relief is used. This will help eliminate undue stress on the connecting cord assembly.

Control Box Assembly

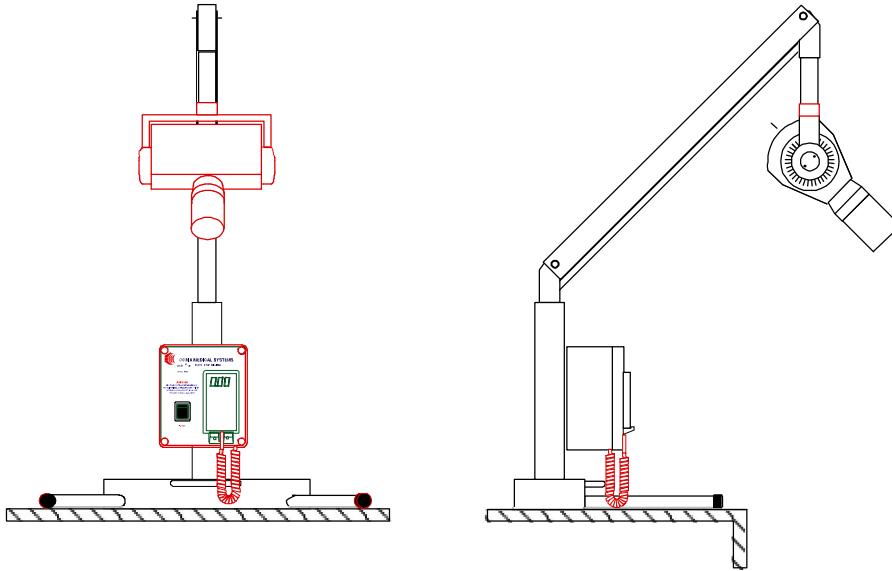
1. Remove control box cover by loosening the relevant captive screws.
2. Secure control box to plate by using the screws, and check that top plane is leveled.
3. Make sure power wires are brought through the internal hole and prepare for electrical installation.

q Mobile stand mounting and Timer Installation



1. Make sure all parts for mobile mounting are present.
2. Cross the two base legs and fix them together to the column.
3. Position the articulated arm (do not remove safety belt) into the column, making appropriate wire connections.
4. Mount tubehead following section 6.4

q **Portable stand Installation**



Make sure all parts for portable stand mounting are present.

1. Position base on table to be used.
2. Fix removable legs into the base.
3. Position the arm into the column, making appropriate wire connections.
4. Mount tubehead following section 6.4

6.2 Scissors Arm and Extension Arm Mounting

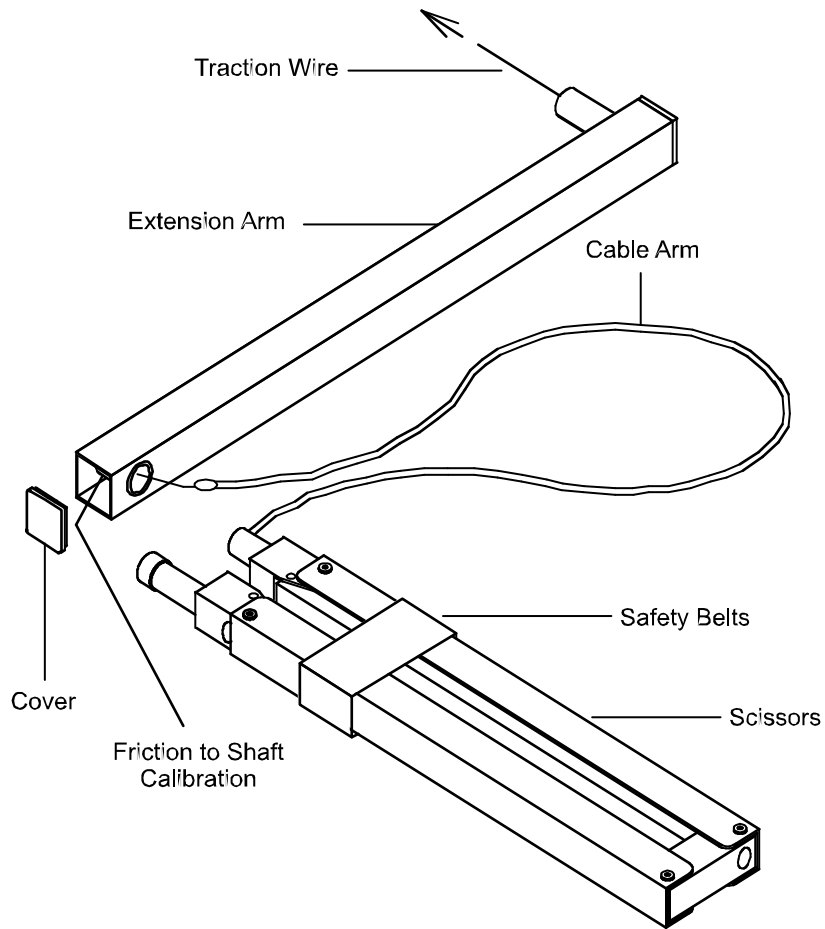
Assembly of extension arm and scissors arm

▷ **Warning**

Do not remove safety belt from scissors arm. Releasing the arm prior to mounting the tubehead may cause severe damage or injury.

Check that Extension Arm pivot is fitted with a spacer.

By means of tape, put the scissors arm cable and extension arm traction wire together. Pull wire until cable appears, then separate cable from traction wire, and introduce scissors arm pivot into extension arm.



6.3 Arms Mounting on Support

Wall mounting of arms assembly

NOTE

-To insert extension arm rotation pivot, keep arm in orthogonal position with respect to plate.

-Do not free scissors arms from safety belt.

1. Mount complete extension arm on wall plate, by inserting rotation pivot in the relevant thimble.
2. Check that the extension arm this leveled through a level; the plate of wall should be leveled horizontal and vertical, if is necessary can wear the plate against the wall to obtain the level desired.

NOTE

In this phase, extension arm must not support tubehead weight; it is recommended to keep the angle slightly wider than 90 degrees, this allowing a full-load flexion of about 4 mm with a 900 mm extension arm.

Stand mounting of arms assembly

NOTE

-To insert extension arm rotation pivot in thimble, keep arm in orthogonal position with respect to stand.

-Do not free scissors arms from safety belt.

1. Mount scissors arm (extension arm is absent in this configuration) on stand, by inserting rotation pivot in the relevant thimble.
2. Check that extension arm is leveled.

Portable mounting of arms assembly

1. Mount articulated arm on column.

6.4. Tubehead Mounting



1. Remove safety screw located on joint.
2. Keep arm articulation at maximum height and slide safety cover over the connection post of the scissors arm.
3. Insert tubehead connection pivot post into the scissors arm-post assembly, about half way. Slide in the wedge into the groove on the pivot post and then push the head upwards until the wedge sits itself into the groove of the pivot post.
4. Completely insert rotation pivot, so that wedge fits the relevant slots on the pivot. Only after this has been carried out, the scissors arms holding pack can be removed.
5. Lower cover on wedge and screw safety screw back.

NOTE

-The function of the cover is to avoid that wedge leaves the relevant seat. Therefore, cover must be held in the right position by means of the relevant holding screw.

-All operations for extension arm friction regulation must be performed.

6.5 Installation of Options

▷ Warning

Coramex, S.A. is not responsible for any damage to the equipment, the operator or the patient caused by incorrect installation and maintenance not compliant with the procedures contained in the relevant user's and installation manuals, or by incorrect operation techniques.

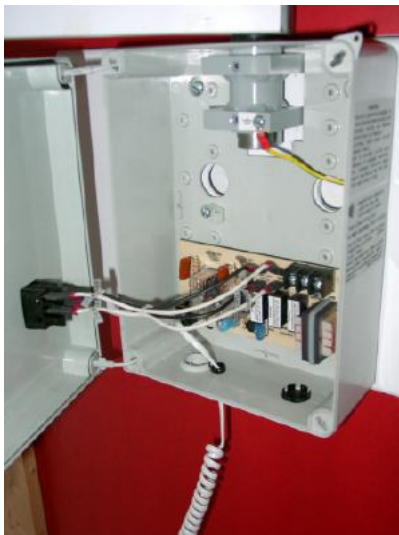
Single stud mount

This mount is available for those cases where an installation requires the use of a limited surface. The term single stud means that the stud must be at least two 2 x 4 or two 2 x 6 inch studs sandwiched together. The installer is reminded that this feature must be carefully used since the manufacturer makes no claim whatsoever as to the fitness of this installation. Most of the times this type of installation is used to mount onto a cabinet type structure or subdividing walls.

Installation to brick or concrete walls

Use lead shields or chemical bosses to secure the device. Follow proper shielding utilization procedures. Always secure the device so as to make a solid fastening. Sandy and hollow bricks may be dangerous. Consider using all thread rods or bolts to go through walls and use another external fastener or clamp to hold baking in a secure place.

6.6 Electrical Connections



The device must be connected to a properly grounded power source. Follow all applicable electrical regulations. Use dedicated lines with the correct gauge and circuit breakers.

Electrical connections for standard versions

Refer to section 5.1 for appropriate wire size.

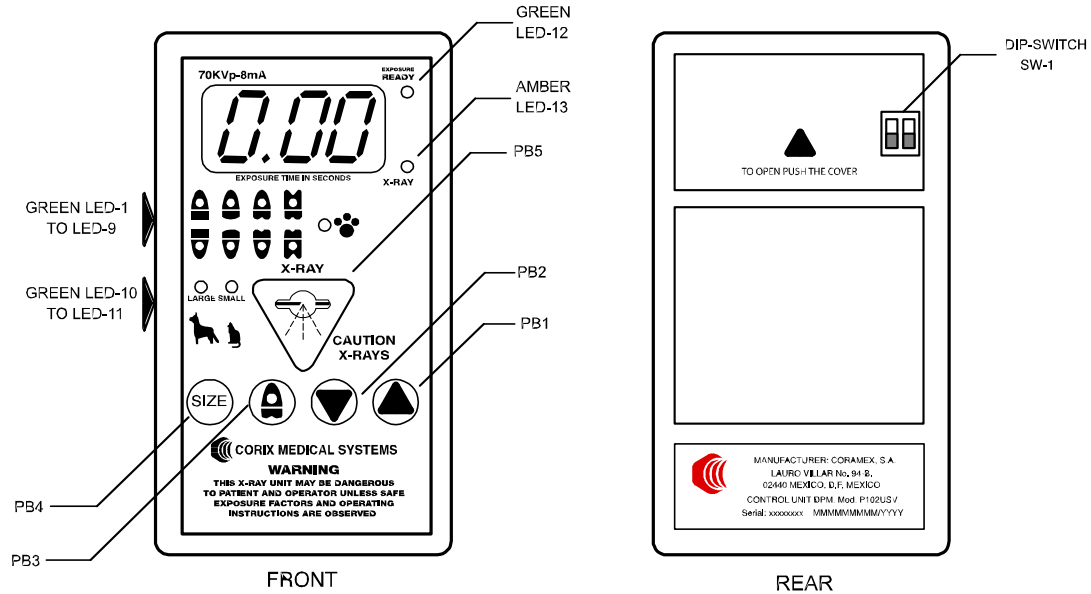
1. Connect power cables from the wall source to the terminal block of the control box by means of a bipolar cable + ground, whose minimum section must be 14 AWG, crimp the terminals provided to the ends of each wire and insert them into the appropriate terminal on the connection block. Labels indicate the following: L=Line (black wire), N=Neutral (white wire) Ground symbol – ground wire (green cable)
2. Connect tubehead cable from arms to the main P.C. Board as follows: Crimp the terminals with the appropriate connectors and connect them as indicated to the sliding connectors shown on the P.C. board. The black wire to L (live tubehead wire), the white wire to N (neutral tubehead wire) and the ground wire (green) to a physical ground.

Electrical connection for versions equipped with remote Timer

For this case the control unit (timer DPM) can be located in a remote place as indicates the section 3.3(b), use the bracket remote timer to hold the control to the wall and connect the timer remote with the PC board through a flat cable type telephonic of 4 threads with a not greater length to 10mts. (30 feet), with connectors RJ hand set in its extremes (assure to do the cable according to the electric diagram)

6.7 Final Functioning Tests

DPM Timer Description



CORIX PRO 70 - INSTALLATION

DPM TIMER - HAND HELD CONTROLLER

All equipment functions are set at standard values and are tested in the factory during final tests. Some of the functions may be regulated by Service engineers only after installation has been completed or according to specific requirements.

After equipment has been connected to a dedicated line source, perform the following functional tests:

1. Set circuit breaker line switch to the ON position and verify that the front rocker switch on the control box is illuminated when it is set in the ON position. Verify also that the Hand Control display shows a given value and that the relevant keys are illuminated.
2. Check correct functioning in automatic mode by depressing relevant function-selection keys in sequence. Each of the relevant LED's will light up with its corresponding timer numerical value visualized on the display.

3. Select manual function by pressing the relevant keys and check that display visualizes the different manual exposure times.

The following test implies emission conditions. Follow all applicable regulations and safety precautions.

4. Position fluorescent screen for radiation visualization at extreme end of collimator, press relevant X-ray Switch key and check simultaneous switching on of LED ((X-ray signaling) and generation of acoustic signal accompanying x-ray emission. Keeping X-ray Switch pressed, the display will visualize the real exposure time.

Error Messages

- ▷ *Error message LO on display means that mains input voltage is too low and not within the accepted limit of -10%.*
- ▷ *Error message HI on display means that network input voltage is too high and exceeds the accepted limit of +10%.*
- ▷ *IN case calculated exposure time is higher than 4s, no exposure will be performed.*

If these error messages are frequently displayed, adjust input mains voltage as indicated in Section 8.

Once these checks have been completed, Equipment is ready for use.

7. MAINTENANCE

7.1 General Features

Corix PRO 70 requires correct use and also regular maintenance and checks. Such measures will guarantee safe and effective equipment functioning and will prevent any risk for both patient and operator.

Maintenance checks that can be performed by the operator and periodical maintenance interventions to be performed by Service engineers only are the following:

<i>Regularity</i>	<i>Test Type</i>
<i>Annual</i>	<i>Check that tags are intact and correctly secured</i> <i>Check that no oil traces are present on tubehead</i> <i>Check that hand remote control cable does not reveal signs of interruption or abrasion</i> <i>Check that equipment does not reveal external signs of damage which could affect safety protection from x-ray</i> <i>Check scissors arm balancing</i>
<i>Every two years</i>	<i>Check x-ray beam centering</i> <i>Check tube current absorption</i>

7.2 Arms Regulation

Arms regulations do not require removal of tubehead. In case this operation is considered useful or necessary, before removing tubehead bring scissors arm in closed position and secure it with safety fixing device. This operation is necessary to avoid damage to people and to the arm.

Arms regulation may be necessary in the following cases:

Scissors arm is not perfectly balanced; in this case, operate on spring regulation.

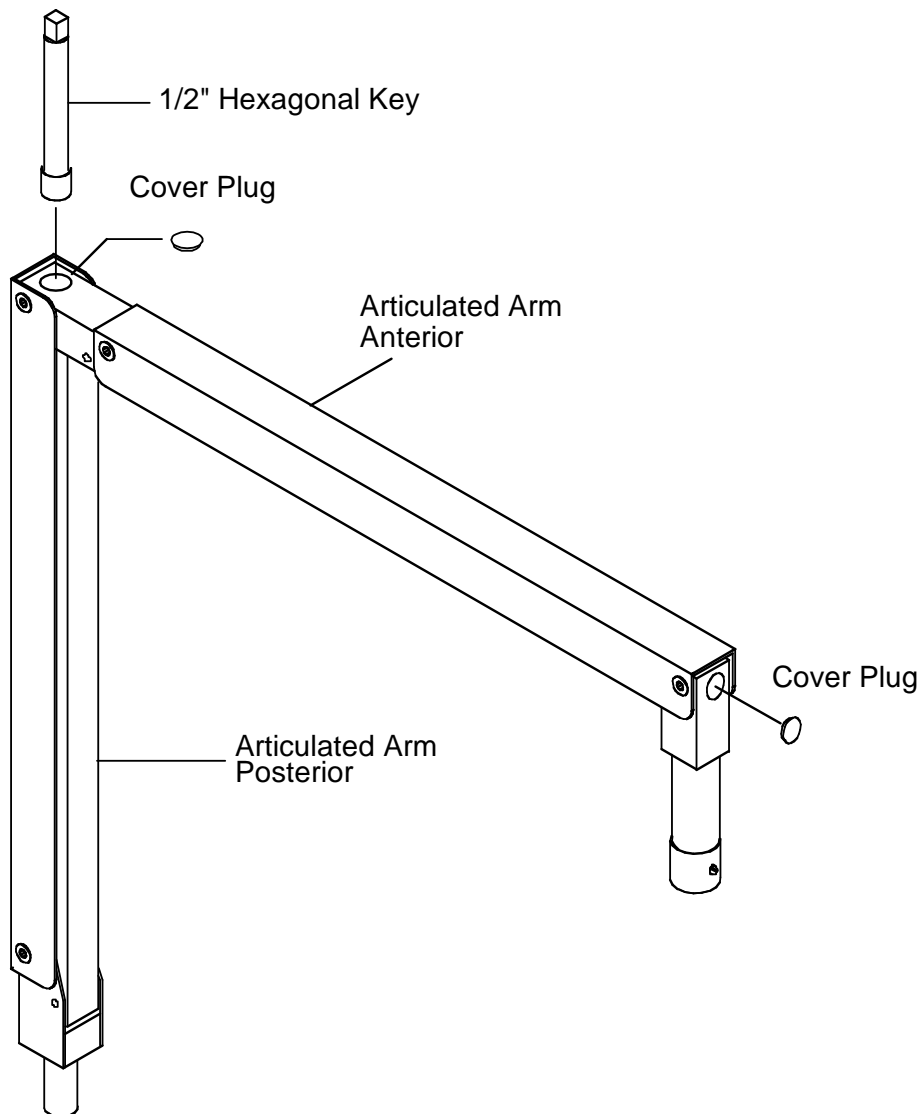
After a certain time, arms balancing springs may sag. Should this happen, tubehead will no longer be balanced in all positions and spring calibration will be required.

Extension arm friction regulation

1. Locate and remove the plastic cover at the end of the arm.
2. Access the friction screw behind this cover.
3. Regulate friction by means of a hexagonal wrench and check arm rotation.
4. Once friction adjustment is achieved replace cover.

Balancing of arms

1. Observe arms to determine which one requires adjustment (Anterior or Posterior).
2. Position the articulated arm as shown in the figure.
3. Locate and remove the cover plug of the arm that requires adjustment.
4. Insert the hexagonal key and rotate clockwise if the arm tends to go down or rotate counter clockwise if arm tends to go up.
5. Once adjustment is finished replace cover plug



Tubehead replacement

-The scissors arm must be held closed together using a heavy-duty strip. This will avoid serious injury to personnel or assembler and limit the potential arm breakage.

1. Remove screw from scissors tubehead arm holder
2. Hold Arm at top height, hold the defective tubehead and slide sleeve upwards and hold it with a piece of tape.
3. Remove the wedge securing the tubehead assembly and gently work the tubehead pivot post out. Care should be exercised not to damage the arm or the connection.
4. Proceed to install the replacement tubehead as instructed under section 6.4

8. SYSTEM CALIBRATION

Corix PRO 70 with DPM timer is calibrated at the factory prior to shipment for the nominal voltage of 120 VAC. However, any of the following situations requires a new calibration:

1. *Hand Control replacement*
2. *Cord replacement*
3. *Installation of remote control systems*
4. *Main P.C. Board replacement*
5. *When display indicates either LO (low voltage) or HI (high voltage)*

Calibration and adjustment of the DPM timer

The DPM timer requires calibration and adjustment according to manufacturer's specifications for the nominal voltage of 120 volts. This is necessary to enable the timer adjustment, by the software algorithm, to be made within a specified window or voltage range. Any voltage exceeding this range will cause an error code such as LO or HI. The timer is calibrated to the power supply at the factory any deviation will result in a new calibration requirement. Calibration affects the relationship between power supply, the length of the interconnecting cable between the hand control and the control box and the hardware associated with the timer and the main P.C. Board. Qualified technicians must perform calibration.

a) Test equipment:

Digital voltmeter (true RMS preferable)

b) Procedure:

Connect the leads of the voltmeter to the input terminals and verify the correct voltage ($120 \pm 10\%$). Power up the device while simultaneously pressing the “Up” and “Down” keys to enter the calibration mode. The display will now show “CAL” and after 3 seconds the voltage reading. Compare this value to the voltage reading of the voltmeter. Calibrate the displayed voltage value to the voltmeter use by selectively pressing the “UP: and “DOWN” keys. Once the values correspond press the X-Ray key to accept this new value. At this point the displayed voltage value might begin to flicker or change according to the true voltage cycling followed by 0.00. Unit is now calibrated, to exit this mode simply press any of the patient selection keys

Timer Multiplication Factor

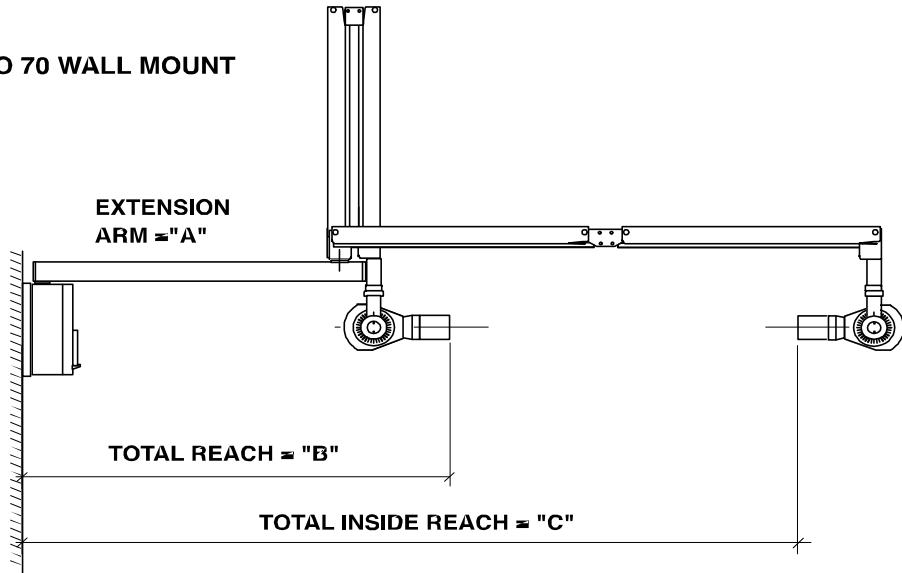
Occasionally the end user may need to use timer settings other than those pre-set at the factory. For example when different types of film speeds are required. The unit is capable of automatically varying these values to reflect the new time setting required. The multiplication factor can be changed from a value of 1.31 to 0.69. At the factory is set for a value of 0.69. Values less than 1.00 will reduce the timer setting while those above will increase the time settings for the automatic keys.

a) Procedure:

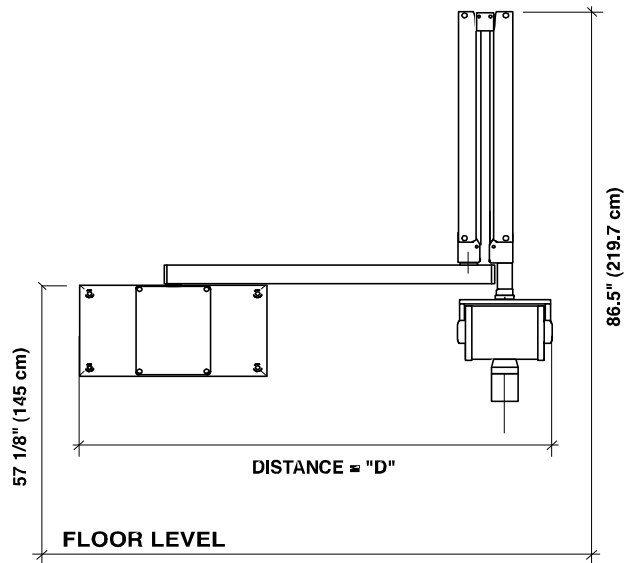
Power up the device while simultaneously pressing the “Up” and “Down” keys to enter the calibration mode. The display will now show “CAL” and after 3 seconds the voltage reading. Press the “Tooth selection” key, the display will now show “FAC”. To increase time press the “UP” key until the display indicates 1.31, to decrease time press the “DOWN” key until the display indicates 0.69. To exit this mode press the “Patient selection” key, the factor will be save in the timer memory. To cancel the factor start the procedure without pressing the “UP” and “DOWN” keys and the factor will be 1.00 once again.

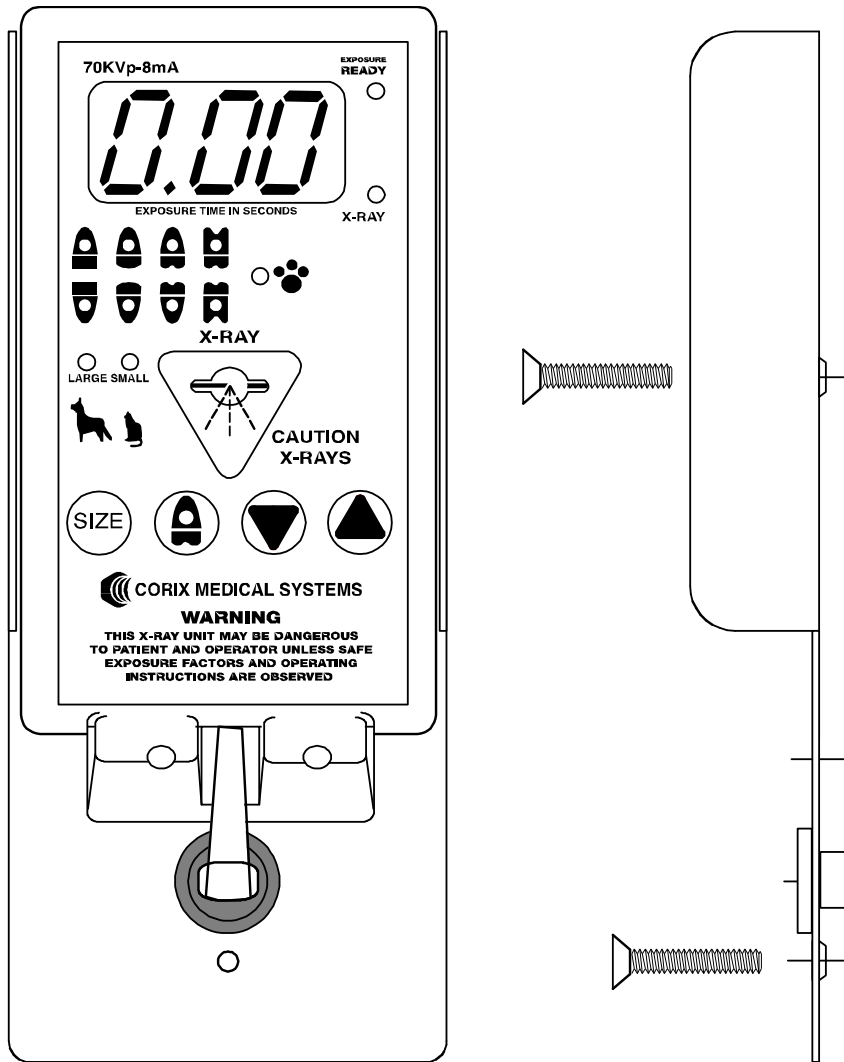
9. DRAWINGS

CORIX PRO 70 WALL MOUNT



EXTENCION ARM="A"	TOTAL REACH="B"	TOTAL INSIDE REACH="C"	DISTANCE="D"
13 3/4" (35 cm)	25 3/4" (65.4 cm)	53 3/8" (135.6 cm)	27 3/8" (69.4 cm)
ST 31 1/2" (80 cm)	43 1/2" (110.5 cm)	71 1/8" (180.6 cm)	45" (114.4 cm)
35 3/8" (90 cm)	47 1/2" (120.6 cm)	75" (190.6 cm)	49" (124.4 cm)

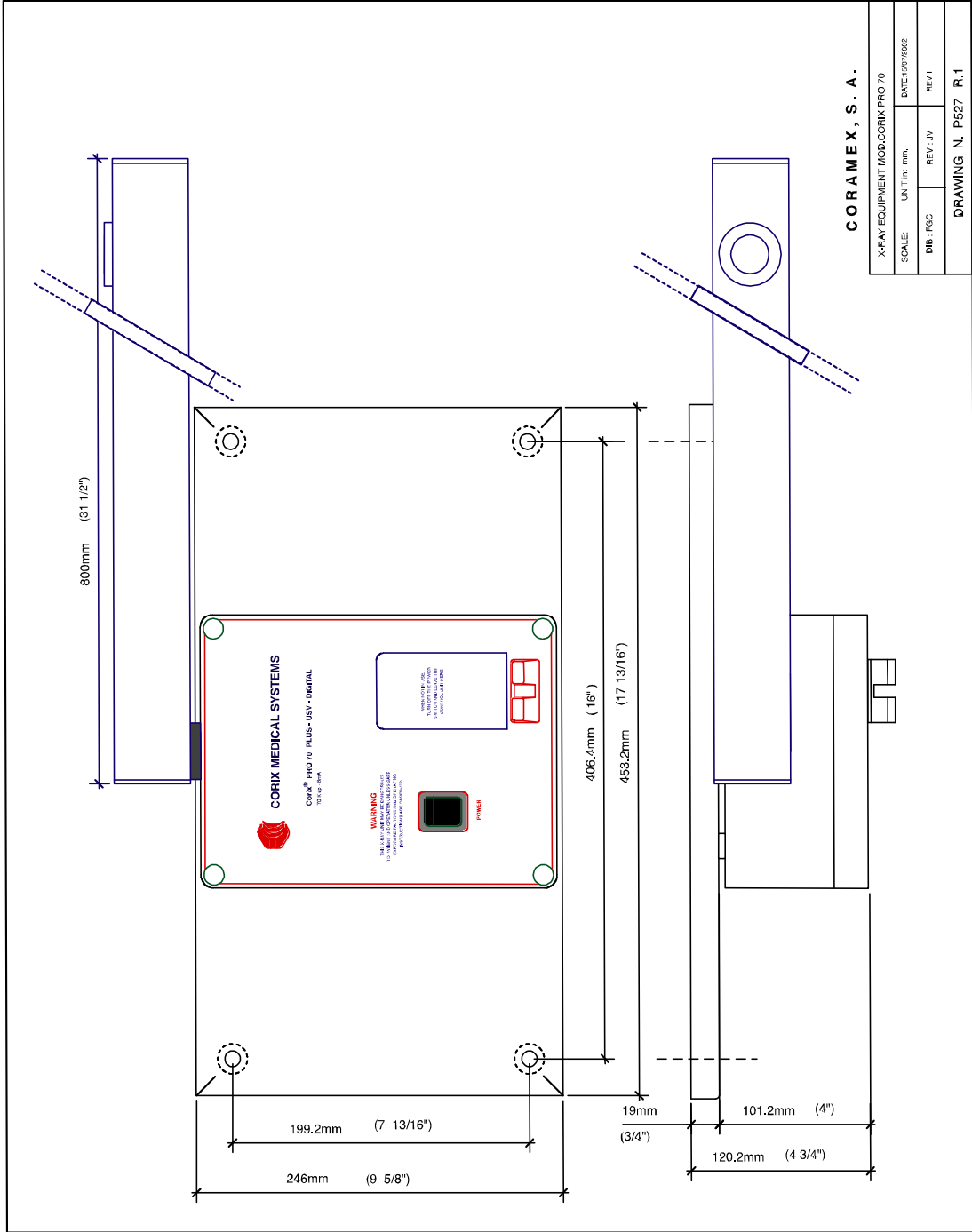




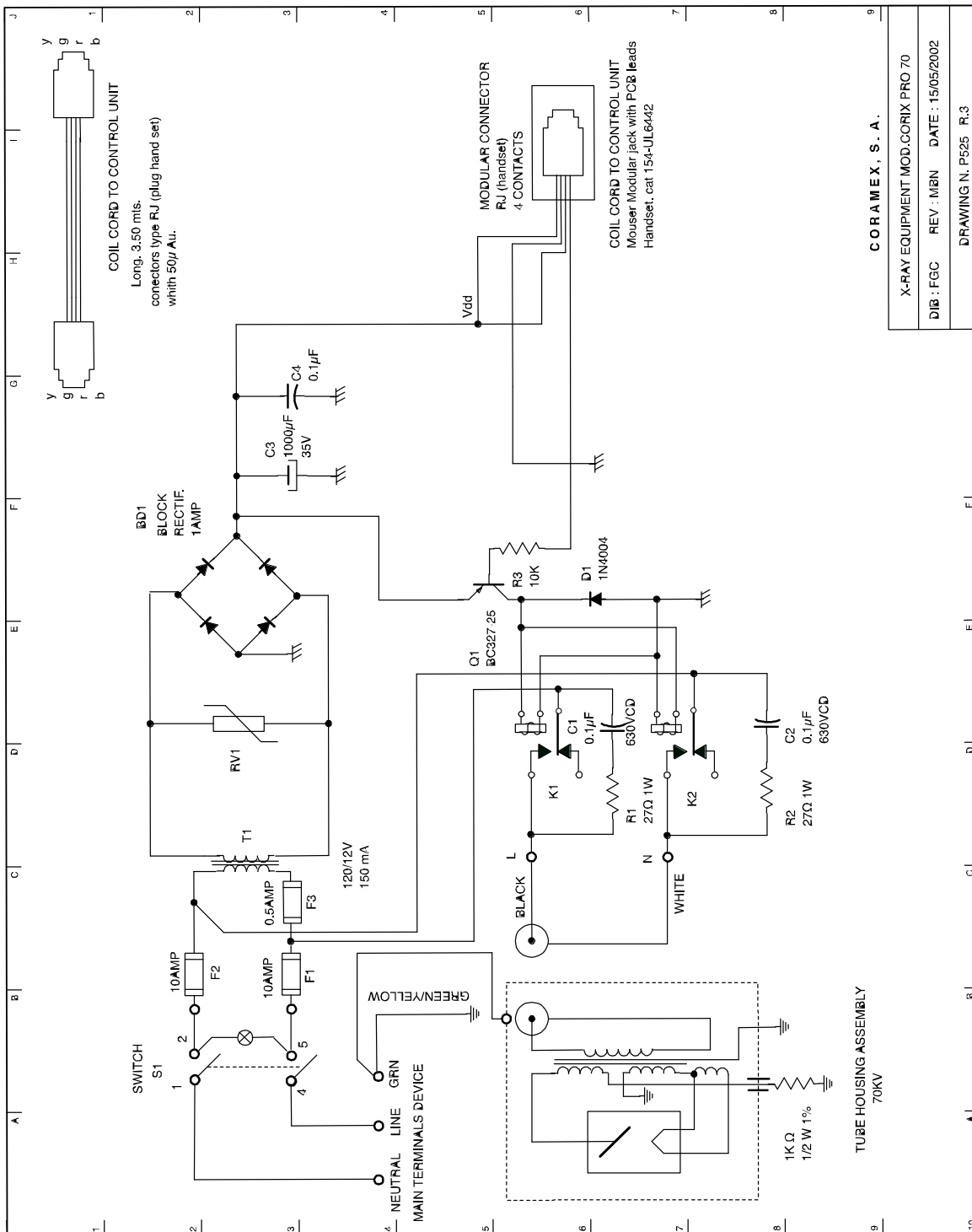
BRACKET REMOTE TIMER KIT

CORIX PRO 70

OPTIONAL P/N P116USV



10. Electrical Schemes



CORAMEX, S. A.

X-RAY EQUIPMENT MOD. CORIX PRO 70

DIB : FGC REV : MBN DATE : 15/05/2002

DRAWING N. P525 R.3

Coramex S. A.
A Division of Corix Medical Systems
94-B Lauro Villar
Mexico City, D.F. 02440 – Mexico
Phone: 011-52-555-394 -1192
Fax: 011-52-555-394 -8120